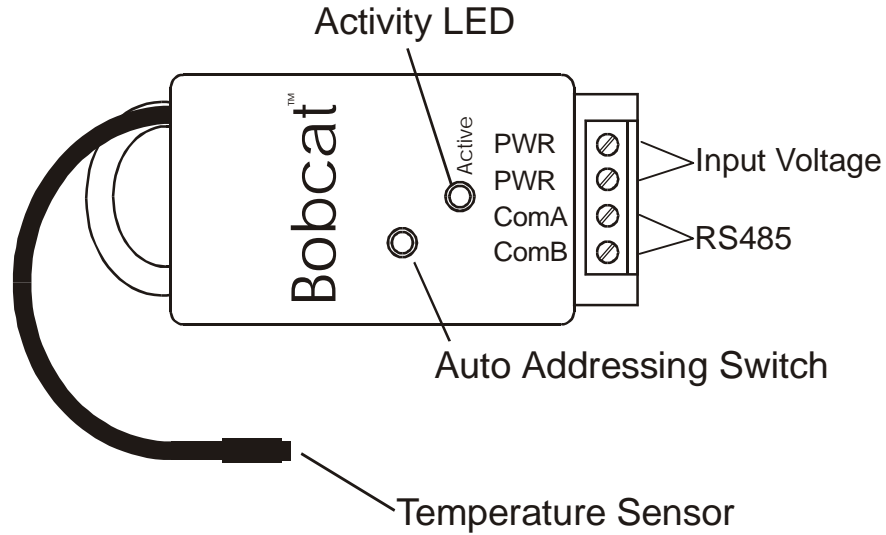


Temperature Bobcat™



Specifications:

Input Voltage: 9 - 12V (DC or AC)

Input Current: 30mA

Operating Temperature Bobcat: 0°C - 70°C

Operating Temperature Temp Sensor: -20°F - 170°F

Size: 1.3"W x 2.5"L x 0.6"D

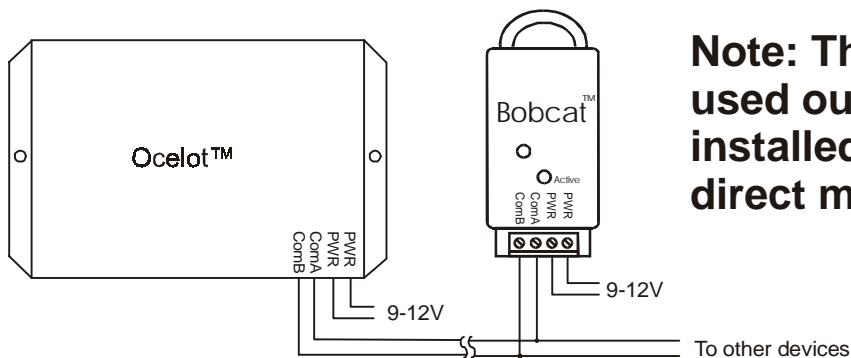
LED Status Codes:

1. On Steady - Bobcat address is not programmed
2. Slow Blink - Bobcat address is programmed
3. Fast Blink - Auto address mode active
4. Steady-Fast Blink - Bobcat communicating

Programmable Parameters

Parameter	Function
1	Device Address
6	Positive Temperature Offset / 16 (0 - 15.9375)
7	Negative Temperature Offset / 16 (0 - 15.9375)

Wiring Diagram



Note: The Bobcat may be used outdoors but must be installed so that there is no direct moisture contact!!