

# T-Max Series Timers

## T-Max® Manager/Pro & T-Max® 3A with Intercom User's Guide



<b>1</b>	<b>INSTALLATION.....</b>	<b>2</b>
1.1	CONNECTING THE T-MAX® TIMING SYSTEM .....	2
	AUTO ADDRESSING THE 3A TIMERS.....	3
1.2	ADJUSTING THE INTERCOM IN EACH TANNING ROOM.....	4
<b>2</b>	<b>INDEPENDENTLY ADDRESSING 3A/F/I TIMERS.....</b>	<b>5</b>
2.1	SETTING PARAMETERS ON THE T-MAX® 3A/F/I.....	6
<b>3</b>	<b>SETTING UP THE MANAGER/PRO WITHOUT A COMPUTER. 8</b>	
3.1	DESCRIPTION .....	8
3.2	INITIAL CONFIGURATION .....	8
3.2.1	<i>Setting up the T-Max® Mgr/Pro.....</i>	<i>8</i>
3.2.2	<i>Parameters Numbers .....</i>	<i>12</i>
3.2.3	<i>Security Levels .....</i>	<i>13</i>
3.3	STARTING A SESSION .....	14
3.4	CANCELING A SESSION.....	14
3.5	PAUSING A SESSION .....	15
3.6	CLEAN ROOM .....	15
3.7	CHECKING BED STATUS.....	15
<b>4</b>	<b>THE INTERCOM.....</b>	<b>16</b>
4.1	SETTING UP THE INTERCOM.....	16
4.1.1	<i>Adjusting the Volume on the T-Max® 3A/I/Master .....</i>	<i>16</i>
4.2	CALLING A ROOM FROM THE FRONT DESK .....	16
4.3	CALLING THE FRONT DESK FROM A ROOM. ....	16
4.4	AUTO SHUTOFF.....	17
4.5	CALL WAITING .....	17
4.6	EMERGENCY CALL.....	18
<b>5</b>	<b>EXPANSION.....</b>	<b>18</b>
5.1	ADDING BEDS .....	18
5.1.1	<i>The ADNET-Repeater™ (optional) .....</i>	<i>19</i>
5.2	TO ADD T-MAX® MGR/PRO'S.....	19
<b>6</b>	<b>IN-ROOM SINGLE BED CONTROL .....</b>	<b>19</b>
6.1	STARTING A SESSION .....	20
6.2	PAUSING A SESSION.....	20
6.3	CANCELING A SESSION .....	20
<b>7</b>	<b>OTHER FEATURES AND OPTIONS .....</b>	<b>20</b>
7.1	COOL DOWN MODE .....	20
7.2	T-MAX® MONITOR/PLUS.....	21

7.3	HIGH PRESSURE (SINGLE-SIDE) BEDS .....	21
7.3.1	Installing External Speaker (Optional).....	21
7.4	CONNECTING A REMOTE PUSH BUTTON TO THE T-MAX® 3A (OPTIONAL) .....	22
7.5	T-MAX® ENCLOSURE (OPTIONAL) .....	22
7.6	ADNET OPTO-ISOLATOR (OPTIONAL).....	22
7.6.1	Connecting the Opto-Isolator® in a Daisy Chain .....	23

**8 FIGURES..... 24**

8.1	FIGURE A - FRONT VIEW OF THE T-MAX® 3A/F/I.....	24
8.2	FIGURE B - FRONT VIEW OF THE T-MAX® 3A/I/MASTER .....	24
8.3	FIGURE C - REAR VIEW T-MAX®3A/F/I&AUDIO CIRCUIT BOARD. ....	25
8.4	FIGURE D - J99 AND J100 JUMPER SETTINGS .....	26
8.5	FIGURE E - THE T-MAX® MGR/PRO .....	26
8.6	FIGURE F - CONNECTING THE T-MAX® SERIES .....	27
8.7	FIGURE H - MODULAR CABLE PIN-OUTS .....	28
8.8	FIGURE I – CONNECTING AN EXTERNAL PUSH BUTTON TO A T-MAX® 3A .....	29

**9 TROUBLE SHOOTING ..... 29**

(C) COPYRIGHT 2000 By Salon Systems, Inc  
ADI PN: MNTMAXMGRPRO Rev 2

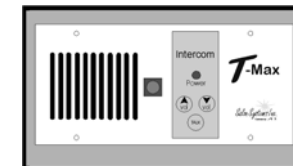
The information in this manual is believed to be correct. However, Salon Systems, Inc. assumes no responsibility for any errors herein. This information is subject to change without notice, and should not be construed as a commitment by Salon Systems, Inc.

**WARRANTY**

This product is warranted against defective materials and workmanship for a period of two years from date of purchase. In the event the product fails to perform, it may be returned; Shipping Paid, to the factory to be serviced or replaced at the factory's discretion. Salon Systems, Inc. will pay to ship the repaired or replaced product by the shipping means of our choosing. Returns will not be accepted without a Return Authorization Number assigned by the factory.

It is a Condition of Sale that the user of Salon Systems Inc.'s products assumes all risk and responsibility of use and indemnifies Salon Systems, Inc. against all damages. Salon Systems, Inc. is not liable for loss of profits, lost savings, special, incidental, consequential, indirect or other similar damages arising from breach of warranty, breach of contract, negligence, or other legal action even if Salon System, Inc. or its agent has been advised of the possibility of such damages, or for any claim brought against you by another party. This warranty allocates risks of product failure between the Purchaser and Salon Systems, Inc. Salon System, Inc.'s hardware pricing reflects this allocation of risk and the limitations of liability contained in this warranty

It is a violation of the stated warranty to cut or modify the provided modular cables supplied with the T-Max® Series Timers. Connecting the T-Max® Series to third party timers not approved by Salon Systems, Inc. also violates the stated warranty. Contact your dealer or Salon Systems, Inc. if you are not sure if the timer that you are connecting is an approved timer.



Congratulations on your purchase of the T-Max® Series Tanning System. The T-Max® is designed for complete automation and control of your tanning equipment. The T-max® Manager can be used as a stand alone unit or can be controlled by a computer using many third party software packages. Manual operation is accomplished via front panel controls.

**Components:**

**T-Max® Manager Pro:**

- 1 T-Max® Manager Pro Unit
- 1 9V @ 800 mA Power Transformer
- 1 RS-232 Cable Com Port Adapter
- 1 ADNET 2000™ Utility Software (3.5" diskette)
- 1 T-Max® Manager User's Manual

**T-Max® 3A/F/I/ (Sold separately, one required for each unit in the salon):**

- 1 T-Max® 3A/F/I/ Timer Interface
- 1 12VAC @ 1A Transformer
- 1 T-Max® 3A/F/I/ User's Guide
- 1 Modular cable with RJ-22 connectors on both ends
- 1 Modular cable with RJ-45 connectors on both ends

**T-Max® 3A/I/Master (Sold Separately)**

- 1 T-Max® 3A/I/Master Timer Interface
- 1 12VAC @ 1A Transformer
- 1 T-Max® Intercom User's Guide
- 1 Modular cable with RJ-22 connectors on both ends
- 1 Audio Cable

Contact your dealer if any components are missing.

**Specifications:**

**T-Max® ManagerPro:**

Power Supply	IN: 120 VAC
	OUT: 9 DC @ 1Amp
Current Draw	800 mA
Dimensions	12.75"x5.5"x1"
Communications Mgr-PC	RS-232C, 9600 Baud, 8Bit, 1 Stop Bit, No Parity

**T-Max® 3A/F/I and T-Max® 3A/I/Master:**

Power Supply	IN: 120 VAC
	OUT: 12V AC@ 1A
Current Draw	800mA
Dimensions	9W"x5.175 H"
	T-Max 3A PCB
	Enclosure:
	5.24"x9"x2.75"
Relay:	220VAC @ 5A; SPST Form A

# 1 Installation



## 1.1 Connecting the T-Max® Timing System

- 1) Place a T-Max® 3A/F/I in each room. Place the T-Max® Mgr/Pro and the T-Max® 3A/F/Master at the front desk.
- 2) A 50' modular RJ-22 cable (phone type cable) and a 50' modular RJ-45 cable is provided with each T-Max® 3A/F/I. Run each modular cable from the T-Max® 3A/I/Master location to T-Max® 3A/F/I in the nearest tanning room. Run the other modular cables from room to room in a daisy-chain fashion. (See Figure F).



**It is very important you use the cables provided with your T-Max® timers. Making your own cables is not recommended.**

- 3) Connect the modular cables to each T-Max® 3A/F/I. It does not matter which port you use, the top or the bottom, because there is not an in or an out. When finished, each T-Max® 3A/F/I should have a modular cable connected to each port, with the exception of the last T-Max® 3A/F/I in the series.
- 4) Connect the 20' modular cable with RJ-22 connectors that were provided with the T-Max® 3A/I/Master between the T-Max® Mgr Pro and the T-Max® 3A/I/Master.
- 5) Connect the tanning bed to the “J3 Contact” screw terminals on the back of the T-Max® 3A/F/I.

***IMPORTANT:* There may be many wires visible on the tanning bed. Two of these wires are specifically used for connecting the bed to an external timer. If you are not sure which two wires to use, refer to the tanning bed's manual or contact the bed's manufacturer.**

- 6) Each T-Max® 3A/F/I came with a 12V power supply. If the power supply is not already connected, connect a power supply to the “PWR IN 9-12V” screw terminal on the back of each T-Max® 3A/F/I.
- 7) Plug each of the T-Max® 3A's power supplies into a standard 110V power outlet.



## Auto Addressing the 3A Timers.

**Note: Customers should not be in the tanning beds while auto addressing.**

- 8) Apply power to the T-Max® Mgr/Pro (power does not have to be applied to the T-Max® 3A/I/Master at this point). Wait until the T-Max® Mgr/Pro is done scanning.
- 9) Press the Call/Menu button on the T-Max® Mgr/Pro. The LCD Display will read as follows: SECURITY/CALL.
- 10) Enter an 888 for the Security Code, followed by the Enter button.  
Each T-Max® 3A/F/I will show a 99 on their displays and beep continuously.



**If you have a 3A that is not showing 99 – check your cable connection.**

- 11) Go to each room in the order you want them numbered (1, 2, 3, 4, 5, 6 etc.) pressing the Start/Stop button in each room until all displays show 0 and the alarms stop. Make sure the timer shows “0” before going to the next room.





**If you want to skip a room, press the NEXT button on your T-Max® Mgr/Pro, and you can pass over that room number.**



**The rooms do not need to be numbered in the order they are wired.**

As you press the Start/Stop buttons in each room, the Maximum Bed Number on the T-Max® Mgr/Pro will automatically count up.

12) When you have finished with addressing the timers, press the Enter button on the T-Max® Mgr/Pro.

13) After a short pause, the T-Max® Manager/Pro will then scan. Lights will illuminate for each bed found.

14) Apply power to the T-Max® 3A/I/Master.

## 1.2 Adjusting the Intercom in each Tanning Room

Before screwing the T-Max® 3A/F/I's into the wall, you will want to adjust the volume in each room for the intercom. Two people will be needed: one at the T-Max® Mgr/Pro and T-Max® 3A/I/Master, and one in the tanning room.

- 1) Locate the volume control on the back of the T-Max® 3A/F/I (refer to Figure C).
- 2) Press 1 followed by the Enter button. The display will read as follows: Talk to Room 1. The display on the T-Max® 3A/F/I will show two dashes (--).
- 3) Press the Talk button on the T-Max® 3A/I/Master at the front desk and talk into the microphone. Release the Talk button to listen.

- 4) While the person at the front desk is talking, adjust the volume on the T-Max® 3A/F/I in the tanning room by turning the volume control clockwise or counter clockwise.
- 5) Once the volume is adjusted to your satisfaction, press Clear on the T-Max® Mgr/Pro to hang up. The display on the T-Max® 3A/F/I will show a 0.
- 6) Repeat steps 1-5 for each room in the salon.

**Installation is now complete!**



## 2 INDEPENDENTLY ADDRESSING 3A/F/I TIMERS



**If you are installing a new T-Max® system and have just completed Section 1 (Installation), the addresses on the T-Max® 3A/F/I's are set. You do not need to independently set addresses on the T-Max® 3A/F/I's.**

- 1) Unplug the power from the T-Max® Mgr/Pro (skinniest wire).
- 2) Apply power to the T-Max® 3A/F/I. It should show a 9.9 and an alarm should sound.  
If it just shows a 0, go to Step 4.
- 3) Press and release the Start/Stop button. The display will flash an 8.8 and the alarm will stop. Press and release the Up button until the display stops flashing and shows a 0.
- 4) Press and hold the Start/Stop and Up buttons together, simultaneously, concurrently, and at the same time, on the T-Max® 3A/F/I until a".1"

appears on the display. This should take about 5-6 seconds. Release the buttons.

5) Press the Start/Stop button on the display. A flashing number will appear. This is the address that the timer currently has programmed. (If it is a new timer, it will probably show a 5.2 all flashing – press the Up Arrow button counting up 5.3, 5.4, 5.5, then the counter starts over at .0, .1, etc. In most cases, counting up from 5.2 is easier than counting down.)

6) Press the Up or Down button until the desired address is displayed.



**If you have less than 100 beds - Make sure you have a solid period, flashing number.**

*Note:* When setting the addresses, remember these three rules:

- **Set each T-Max® 3A/F/I to a unique address.**
- **Do not set any T-Max® 3A/F/I to address 00.**
- **If the period is flashing, you are over address 100.**

7) Once the desired address is displayed, press and release the Start/Stop button. A solid .1 will be displayed.

8) Press and hold both the Up and Down buttons until a 0 is displayed. Repeat Steps 2-8 for each T-Max® 3A/F/I that you are manually addressing.

## 2.1 Setting Parameters on the T-Max® 3A/F/I

*Note:* If you are using a T-Max® Mgr/Pro and multiple T-Max® 3A/F/Is, remove power from the T-Max® Mgr/Pro then unplug the power to each T-Max® 3A/F/I. Keep power removed from the T-Max® Mgr/Pro until all parameter changes are complete. Refer to Table 1, (page 11) for Parameter Numbers and Descriptions.

1) Apply power to the T-Max® 3A/F/I.

2) Press and hold the Start/Stop and Up buttons simultaneously on the T-Max® 3A/F/I until a “.1” appears on the display. This should take 5-6 seconds. Release the buttons.

3) Press the Up or Down buttons until the parameter number that you want is displayed.

4) Press the Start/Stop button to see the current value for that parameter.

The Display will show a number with a period in the lower center of the display. The numbers will stop flashing and stay illuminated. The number shown is the current value for that parameter.

For Lamp Hours, Session Counts, etc. the value displayed can be as high as 9999. To display this value, the T-Max® 3A/F/I will flash two numbers-three times, then two numbers-three times, pause, two numbers-three times, two numbers-three times, pause, etc. For example, if you are checking lamp hours (Parameter 6) and the display flashes the numbers 53 three times, then 14 three times, pauses then repeats, then the total lamp hours stored in that T-Max® 3A/F/I is 5314.

5) Press the Up or Down button to change the parameter to the desired value.

If you want to clear the value for that parameter, press the Up and Down buttons at the same time until the display shows “.0”.

6) Press the Start/Stop button.

The display will show the parameter number you just changed and a solid period in the lower center of the display. You may now change another parameter by pressing the Up and Down buttons until the parameter you want displayed. Repeat Steps 2-4.

7) To exit the Parameter mode and make the T-Max® 3A/F/I available for the next session, press and hold both the Up and Down buttons until the display shows a 0 with no periods.

## 3 SETTING UP THE MANAGER/PRO WITHOUT A COMPUTER.

### 3.1 Description

The T-Max® Mgr/Pro has 64 dual-colored lights showing bed status. A 16x2 VFD display on the upper right corner of the T-Max® Mgr/Pro shows bed status and times. A 16-key keypad allows the user to control the salon.

### 3.2 Initial Configuration

#### 3.2.1 Setting up the T-Max® Mgr/Pro

- 1) Apply power to the T-Max® Mgr/Pro. The T-Max® Mgr/Pro will scan the network to find all T-Max® 3A/F/Is.
- 2) Press the Call/Menu button. The following message will appear: **SECURITY/CALL.**

**A sheet was provided showing the factory default settings for each security level and security level descriptions. You must go to security level 3, and enter that security #.**

- 3) The following message will appear: **GET PARAMS?** Press NEXT
- 4) The following message will appear: **SEND PARAMS?** Press NEXT
- 5) The following message will appear: **MGR PARAMS?** Press ENTER
- 6) The following message will appear: **MGR DELAY TIME.** Enter the delay time in minutes, followed by the ENTER button.

**If you want the session to start right away, enter a delay of 0. The maximum setting for delay is 10 minutes. This setting is for every bed in the salon.**

- 7) The following message will appear: **MGR START MODE.** Enter the desired Auto Start Mode followed by the ENTER button.

**This setting is for every bed in the salon.**

If a **0** is entered, the bed will not come on automatically when the delay time expires, but session time will begin counting down (the 0 will not appear on the display). The Start button must be pressed in the room, for the bed to come on.

If a **1** is entered, the bed will come on immediately after the delay time expires.

If a **2** is entered, then the T-Max® Mgr/Pro is set to infinite delay and session will not start until the Start/Stop button is pressed on the T-Max® 3A.



**If the T-Max® Mgr/Pro is controlled by a computer, the Delay and Auto Start mode are controlled by the computer's software - unless you set the Infinite Delay. If the T-Max® Mgr/Pro is set to Infinite Delay, the Delay time set in the T-Max® Mgr/Pro or the PC will be ignored.**

- 8) The following message will appear: **MGR MAX BED.** Enter the maximum bed number followed by the ENTER key.



**This number must be equal to or higher than the highest address that a T-Max® 3A is set. For example if you have six beds, but are addressing the T-Max® 3As to 1,2,3,4,5, and 8, set the maximum bed number to 8.**

9) The following message will appear: **MANAGER NUM.** If you are using one Manager, press ENTER. If you are using multiple Managers, enter the T-Max® Mgr/Pro address, followed by the ENTER button.

Up to 8 T-Max® Mgr/Pro's can be connected in a single salon. One T-Max® Mgr/Pro must be set to address 0. All slave T-Max® Mgr/Pro's must be set to an address other than 0. Set each Slave T-Max® Mgr/Pro to a unique address.

10) The following message will appear: **MGR RE-SCAN TIME.** Press the ENTER key (without entering a number).

11) The following message will appear: **MAX SLAVE.** If you are only using one Manager, press ENTER (without entering a number). If you are using multiple Managers press 7, then ENTER.

The VFD display will then read **SAVING PARAMS.**

**Table 1 - Parameter Numbers**

Param #	Description	Max #	Default	Notes
1	Address	255	254	Address of T-Max® 3A
2	Beep Mode	1	0	Used for High Pressure beds. 0=Alarm only, 1=Alarm and Flip
3	Delay Time	10	0	Delay in minutes stored in the T-Max® 3A.
4	Current Sense	1	0	For the T-Max® Sentry™ Option. 0=Disabled, 1=Enabled.
5	Session Counts	65535	0	Total session counts for T-Max® 3As.
6	Lamp Hours	65535	0	Bulb hours for each bed.
7	Bed Hours	65535	0	Number of hours a bed is on.
8	Manual Session Counts	65535	0	Counts the number of sessions the T-Max® 3A has run while in Stand Alone Mode
9	Clean Room	1	1	0 = Clean Room Disabled, 1 = Enabled
10*	Manual Lockout	1	0	0 = Stand Alone Enabled, 1 = Disabled
13	Cool Down Mode	10	0	0 = Disabled, 1-10=Enabled. Time delay in minutes allowing bed to cool.
15	Fixed Session Counts	65535	0	Counts number of sessions ran through the T-Max® 3A. This value cannot be changed at all. Used as point of reference.
17	Clean Clear	1	0	0 = Press and hold the Up button for 3-4 seconds to clear the clean room. 1 = Press and release the Up button to clear instantly.
18	Redisplay	2	0	0 = After a session ends and the clean room is cleared, the T-Max® 3A will show a 0. 1 = After session ends and the clean room is cleared, the T-Max® 3A will show the last session time entered. 2-10 = After the session ends and the clean room is cleared, the max. time will show on the T-Max® 3A.
20	External Speaker	1	0	0 = Speaker on T-Max® 3A, 1 = External Speaker will be used.
21	Pause Mode	1	0	0 = When session is paused, time will continue to count down. 1 = When session is paused, session time will stop counting down.
22	Auto Bed Shut Off	1	0	For T-Max Intercom Systems Only. 0 = When timer is called, bed will stay on, 1 = When timer is called, bed will shut off automatically.

- If Manual Lockout is enabled, the T-Max® 3A cannot operate as a stand-alone timer. In the event of a T-Max® Mgr/Pro failure, this parameter cannot be enabled at the T-Max® 3A



### 3.2.2 Parameters Numbers

Parameters are values stored in each T-Max® 3A/F/Is such as Lamp Hours, Session Counts, etc. Table 1 shows the parameter numbers and details about them.

**To get or change parameters, do the following:**

- 1) Press the BED NUMBER you want to check or change, followed by the ENTER key. The bed number and its status will appear.
- 2) Press the CALL/MENU button.
- 3) The following message will appear: SECURITY#. Enter the security number for level 3 followed by the ENTER key.
- 4) The following message will appear: GET PARAMS? Do you want to see what is stored, or change it?
  - If you just want to **see** current values, press ENTER
  - If you want to **send** new values, go to **Step 6**.
- 5) The following message will appear: WHICH PARAMETER? Enter the parameter number from Table 1 followed by the ENTER key.

The top line on the VFD display will show the bed number. The second line will show the value for the parameter you checked.

Press CLEAR to exit.
- 6) Press the NEXT button.
- 7) The following message will appear: SEND PARAMS? Press the ENTER button.
- 8) The following message will appear: WHICH PARAMETER? Enter the parameter number from Table 1 followed by the ENTER button.
- 9) The following message will appear: SEND WHAT DATA? Enter the value that you want to store in that timer followed by the ENTER button. Press CLEAR to exit.



### 3.2.3 Security Levels

There are 5 security levels on the T-Max® Mgr/Pro. When the Menu button is pressed, the display will prompt you for a security number. Refer to the enclosed Security Number Sheet on how to change security numbers. The description of these levels follows:

#### Level 0 - Computer Control Level

Sessions can be monitored, but not started manually.

#### Level 1 - Employee Level

Session operation only. No parameters can be observed or changed.

#### Level 2 - Supervisor Level

Parameters values can be observed but not changed.

#### Level 3 - Manager Level

Parameters can be observed and changed. Security numbers cannot be changed.

#### Level 4 - Owner Level

This level allows the changing of security numbers for access.

Asterisks will be displayed on the lower left corner of the VFD indicating which security number was last entered, a single asterisk for level 1, 2 asterisks for level 2 and 3 asterisks for level 3.

When changing Security numbers, make sure the number you choose is higher than 128. Any number under 128 is used by the intercom to call a room. The following are reserved security numbers and what they are reserved for:

778: Error Codes

779: Real Time Clock (Not used on the T-Max® series but still reserved)

888: Auto Addressing

911: Emergency Call

999: Rescanning the T-Max® Series



### 3.3 Starting A Session



**You must be at Security Level 1, 2 or 3 to start sessions manually. If you don't have any asterisks in your VF Display – you can't send time from the Manager.**

- 1) Press the BED NUMBER you want to start, followed by the ENTER button.
- 2) Press the TIME button. The display will read “Enter Session Time”.
- 3) Enter the SESSION TIME you want followed by the ENTER button.

The delay will count down on the display. If an Infinite delay has been set up, the session time will show but will not count down. DELAY will show for status. Once the customer presses the Start/Stop button on the T-Max® 3A in the room, the session will start. The display will show the session time counting down and the status will stay ON.



### 3.4 Canceling A Session

- 1) Press the BED NUMBER that you want to cancel, followed by the ENTER button.
- 2) Press the TIME button. The message “Enter the Time” will appear on the VFD display.
- 3) Press the ENTER button (without entering any time).  
If the clean room is enabled and the delay time has expired, DIRTY will appear on the display the Status LED will be red. Once the clean room signal has been cleared, the display on the T-Max® Mgr/Pro will show READY and the Status LED will turn green.

### 3.5 Pausing A Session

To pause a session, press the START/STOP button on the T-Max® 3A/F/I at the tanning bed. The flashing period will stop flashing and stay illuminated. The T-Max® Mgr/Pro display will show PAUSE on the display.

*Note:* The session time will continue to count and the display will reflect the remaining session time.

To restart the session, press the START/STOP button on the T-Max® 3A. The period will continue flashing and the Status on the T-Max® Mgr/Pro will change to ON.



### 3.6 Clean Room

Once the session time is over, the display will show two periods with no numbers, which is an indication that the room needs to be cleaned. To clear the clean room signal, press and hold the Up Arrow button on the T-max 3-A/F/I until the timer beeps and shows 0.

### 3.7 Checking Bed Status

To check the status of a bed, glance at the 64 dual colored lights.

**Green** = Bed is ready for a new session.

**Red** = Bed needs to be cleaned.

**Off** = Bed is not available.

**Flashing Red** = There are less than two minutes left in a session.

**Flashing Green** = Bed is in the Cool Down Mode.

**Yellow** = Scanning or Error.

To check time remaining in an active session, press the bed number followed by Enter.

To check the times on all beds, press the Next or Prev (previous) button repeatedly.

The session will start and the display will show the bedtime and status.

## 4 THE INTERCOM

### 4.1 Setting Up the Intercom

Install the Series as described in Section 1. Section 1.2 describes how to adjust the volume in each T-Max® 3A/F/I in each room.

#### 4.1.1 Adjusting the Volume on the T-Max® 3A/I/Master

- 1) Press the Call/Menu button on the T-Max® Mgr/Plus. The LCD display will read as follows: SECURITY/CALL
- 2) Press 1 followed by the Enter button.
- 3) Have a person go into room 1 you called and start talking.
- 4) Press the Volume Up or Down button on the T-Max® 3A/I/Master to adjust the volume.
- 5) Press the Volume Up and Down buttons on the T-Max® 3A/F/I simultaneously to save the volume level.

### 4.2 Calling a Room from the Front Desk

- 1) Press the Call/Menu button on the T-Max® Mgr/Plus. The LCD display will read as follows: SECURITY/CALL.
- 2) Press the room number you want to talk to followed by the Enter button.

The light on the T-Max® 3A/I/Master will flash Red. The timer on the tanning room will go to double dash ( -- ). The light on the T-Max® 3A/I/Master will flash red.

If Parameter 22 is set to a 1, the tanning bed will automatically turn off and the timer will go to pause (the session time will continue to count down). If parameter 22 is set to a 0, the tanning bed will stay on.

To talk to the room, press and hold the talk button on the T-Max® 3A/I/Master. Hold this button while talking. Release the button to listen. No button needs to be pushed in the room to talk.

Press Clear on the T-Max® Mgr/Pro to hang up the intercom. The display on the T-Max® 3A/F/I will show the remaining session time and the light on the T-Max® 3A/I/Master will turn green.

### 4.3 Calling the Front Desk from a Room.

- 1) Press and release the Call button on the T-Max® 3A/F/I in the tanning room.

The T-Max® 3A/F/I will show two dashes. If parameter 22 is set to a 1, the tanning bed will turn off and the timer will go to a Pause mode (session time will continue to count down). The light on the T-Max 3A/I/Master will flash red.

- 2) The T-Max® Manager LCD display will read as follows: Talk to Room # (the room number calling the front desk). The light on the T-Max® 3A/F/I will flash Red while the intercom is active.

- 3) The front desk operator must press and hold the Talk button on the T-Max® 3A/I/Master to talk, and release the Talk button to listen. The tanner in the room does not press any buttons.

### 4.4 Auto Shutoff

When a salon operator calls a tanning room, or the tanning room calls the front desk, you have the choice of having the tanning bed turn off automatically or stay on if a session is running. Parameter 22 controls this feature. Refer to Section 2.1 or 3.2.2 for changing parameter numbers.

0 = Tanning bed will stay on if the room is called.

1 = Tanning bed will automatically turn off if the room is called.

If parameter 22 is set to a 1, when the room is called, the T-Max® 3A/F/I will go into the Pause mode. The display will show 2 dashes and the period will stop flashing and stay illuminated. Session time will continue to count down. When the intercom is hung up at the front desk, the display will show the remaining session time. The tanner must press the Start/Stop button to turn the tanning bed back on.

### 4.5 Call Waiting

If another room calls the front desk while the intercom is active with another room, the display on the T-Max® 3A/F/I in the tanning room will show flashing dashes. A yellow light will flash on the T-Max® Manager/Pro showing which room is trying to call. The T-Max® Mgr/Pro will beep while a call is pending. If parameter 22 is set to a 1, the tanning bed will not yet turn off.

Once the conversation is done with the first room, press clear on the T-Max® Mgr/Pro to hang up. The room waiting will automatically connect and be displayed on the T-Max® Mgr/Pro display. The flashing dashes in the room will turn to solid dashes. If parameter 22 is set to a 1, the tanning bed will turn off.

Press Clear on the T-Max® Mgr/Pro to hang up. The display will return to the room status. The T-Max® 3A/F/I in the tanning room will show the

remaining session time. If the tanning bed is off, the customer must press the Start/Stop button to turn the tanning bed back on.

## 4.6 Emergency Call

In the event of a salon emergency, an Emergency Call feature has been implemented.

**IMPORTANT: When the Emergency Call is implemented, every active session will be canceled and the tanner will not be able to restart the session.**

1) Press the Call/Menu button on the T-Max® Mgr/Pro. The following message will appear on the LCD display: SECURITY/CALL.

2) Press 911 followed by the Enter button.

Every active session in the salon will be canceled and all tanning beds will turn off. Every T-Max® 3A/F/I will show two dashes. The people in the room will not be able to speak to the front desk.

3) Press and hold the Talk button on the T-Max® 3A/F/I and speak into the microphone. The announcement will be broadcast to every room in the salon that has a T-Max® 3A/F/I installed.

To cancel the Emergency Call, press the Clear button on the T-Max® Mgr/Plus.

## 5 EXPANSION

### 5.1 Adding Beds

**IMPORTANT: Maximum times for each bed is programmed into the T-Max®3A/F/I at the factory. When ordering the T-Max®3A/F/Is, make sure you have the maximum time for each bed available.**

One T-Max® Mgr/Pro will control up to 64 beds. To add beds, simply purchase one T-Max®3A/F/I for each bed that you add.

#### Setting the address on each new T-Max®3A/F/I

Refer to Section 2.0 on setting the address on the T-Max®3A/F/I. Make sure the address set on each additional T-Max®3A/F/I is not the same as a T-Max®3A/F/I you already have.

#### Setting the max. bed number on the T-Max® Mgr/Pro

If you are using a computer, refer to the Adnet 2000™ manual on setting the Max. Bed Number. If you are not using a computer, refer to Section 3.2.1.

### 5.1.1 The ADNET-Repeater™ (optional)

The T-Max® Series will connect up 128 beds. However after about 25 tanning beds, you may experience communications errors. If this happens, you may need to add a T-Max® Repeater. The ADNET-Repeater™ connects anywhere in the daisy chain and amplifies the communications signal down the rest of the line (see Figure F).

### 5.2 To add T-Max® Mgr/Pro's

1) The side of the T-Max® Manager/Pro has 2 terminator switches. Flip these two switches up to the OFF positions on each slave T-Max® Mgr/Pro.

2) Apply power to each Slave T-Max® Mgr/Pro.


3) Make sure each Slave T-Max® Mgr/Pro has a unique address.

4) Connect each slave T-Max® Mgr/Pro where you want in the daisy.

5) Apply power to the Master T-Max® Mgr/Pro.

6) Refer to Section 3.2.1.9 and Set the Max. Slave Setting on the Master T-Max® Mgr/Pro.

7) Cycle power to the Master T-Max® Mgr.



**Each Slave T-Max® Mgr/Pro must be powered up before you power the Master T-Max® Mgr/Pro. Each Mgr/Pro can be used to cancel a session, start a session, and monitor all sessions. However, parameters (bulb hours, session counts, etc.) can only be monitored and changed from the Master T-Max® Mgr/Pro.**

## 6 IN-ROOM SINGLE BED CONTROL



## 6.1 Starting a Session

If you are using a T-Max® Mgr/Pro and you want to use the T-Max® 3A/F/Is manually, you must unplug power from the T-Max® Mgr/Pro, unplug power from all the T-Max® 3A/F/I's, then plug the timers back in. Power must stay removed from the T-Max® Mgr/Pro while the T-Max® 3A/F/I is being used independently.

1) Press the Up and Down button on the T-Max® 3A/F/I until the session time is displayed. If the display shows a 0, and you want to count down from the maximum time, press the Down button.

2) Press and release the Start/Stop button to start the session.

If a delay other than 0 is programmed, the delay time will begin counting down. A period on the lower right corner of the display will flash rapidly. When the session starts, the period will flash at a once per second rate.

## 6.2 Pausing a Session

To pause a session, press the Start/Stop button. The flashing period on the lower right corner of the display will stop flashing. The session time will continue to count down.

To restart the session, press the Start/Stop button on the T-Max® 3A/F/I. The period on the lower right corner of the display will resume flashing.

## 6.3 Canceling a Session

To cancel a session, press the Start/Stop button to pause the session then press the Up button. The display will show a solitary 0.

## 7 OTHER FEATURES and OPTIONS



### 7.1 Cool Down Mode

Cool Down mode is used for beds that require a time to cool down before the next session can be run. High-pressure beds primarily require this. While the T-Max® 3A/F/I is in Cool Down Mode, a session cannot be started until the cool down time has expired.

To enable Cool Down Mode, set parameter 13 to the time in minutes you want the cool down time to last. Setting parameter 13 to 0 disables Cool Down Mode.

After the session ends, the T-Max® 3A/F/I will go into Cool Down Mode. A single period will be displayed on the T-Max® 3A/F/I and T-Max®

Mgr/Pro will show a flashing green light for the duration of the cool down time. The T-Max® Mgr/Pro display will show “Cool”, with the time counting down. If “Clean Room” is also enabled, the clean room will be displayed. The T-Max® Mgr/Pro display will show “Dirty” and the light for that room will be solid red, but the Cool Down time will be shown counting down. If the room is cleaned before the cool down time has elapsed or if the “Clean Room” is disabled, a solid period will be displayed on the lower center on the T-Max® 3A/F/I. You cannot start a session until the cool down time has elapsed.

### 7.2 T-Max® Monitor/Plus

The T-Max® Monitor/Plus allows the salon owner to check the status of all the beds at any place in the salon.

The T-Max® Monitor/Plus has 16 LED displays showing remaining session time. Multiple T-Max® Monitor/Plus' can be connected for large salons. The T-Max® Monitor/Plus can be connected anywhere in the T-Max® chain. You can connect them at the front desk if you want to glance over and see remaining session time, or you can place them anywhere else in the salon so the cleaning staff can see how much session time is remaining for each room. Contact your dealer for more information.

### 7.3 High Pressure (Single-Side) Beds

The T-Max® 3A/F/I has an alarm that will beep for 10 seconds half way through the session informing the customer to turn over. If you are not using a T-Max® Mgr/Pro, this option must be enabled at the factory.



#### 7.3.1 Installing External Speaker (Optional)

If the speaker on the T-Max® 3A/F/I is not loud enough, a T-Max® Speaker that connects to the T-Max® 3A/F/I is available. To install the T-Max® Speaker, do the following: (see Figure D, Section 8.4 for J6 location and J99 and J100 locations and jumper positions).

1) Connect the cable on the T-Max® Speaker to the J6 on the back of the T-Max® 3A/F/I.

2) Place the Jumper on J100 to pins 2 and 3 on the back of the T-Max® 3A/F/I.

3) Set Parameter 20 to a “1.”



## 7.4 Connecting a Remote Push Button to the T-Max® 3A (Optional)

A T-Max® 3A/F/I can be used to control another T-Max® 3A/F/I. This is ideal for small salons who are not using a T-Max® Manager. Two T-Max® 3A/F/Is are required for remote single bed control.

A remote push button can be connected to the T-Max® 3A/F/I to start sessions. You can get an external start kit from your distributor that provides a 50' cable with a push button and a wall mounting plate.

Connect the wires from your external push button circuit to the “EXT START” screw terminals on the back of the T-Max® 3A/F/I. Place a jumper on J100-pins 2 & 3 (See Figure D, Section 8.4 for jumper locations. See Figure I for an example of an External Push Button circuit).

When the external push button is pressed a contact closure is applied to the Ext. Start screw terminals on the back of T-Max® 3A/F/I.

To start a session, press the Up or Down button on the T-Max® 3A/F/I to set the time, then when ready, press the remote push button instead of the Start/Stop button on the T-Max® 3A/F/I.



## 7.5 T-Max® Enclosure (Optional)

The T-Max® Enclosure allows the T-Max® to either be hung on a wall or set on a table. Tear drop holes on the back of the T-Max® Enclosure allow for easy installation.

The T-Max® Enclosure is slanted to make the T-Max® 3A/F/I push buttons and display easy to access and read. The T-Max® 3A/F/I can fit so that it is slanted up or down. Slanted up is ideal for setting the timer on a desk. Slanted down is great for hanging the T-Max® 3A/F/I on a wall.

To install the T-Max® 3A/F/I to the T-Max® Enclosure, first run the cable through the wire holes on the T-Max® Enclosure and connect them to the T-Max® 3A/F/I. Connect the grommets to hold the wires in tight. Plug any unused holes with the provided plastic plugs. Connect the T-Max® 3A/F/I to the T-Max® Enclosure using the four screws provided with the T-Max® 3A/F/I.

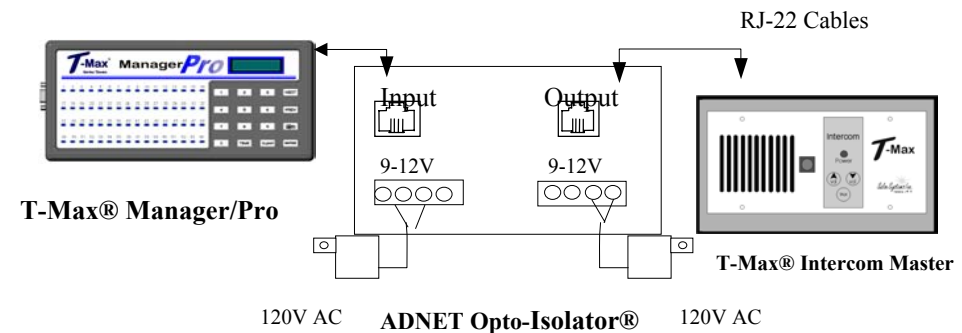
## 7.6 ADNET Opto-Isolator (Optional)

The ADNET Opto-Isolator® is a device that isolates both sides of the communications between the T-Max® Manager and the rest of the salon. By converting the data signal from the T-Max® Manager to light, then back to hard wire, the two sides of the communications connected to the Opto-

Isolator are physically disconnected, yet communication passes through. This helps prevent damage due to power surges, and remedies problems caused by ground isolation problems found in some buildings.

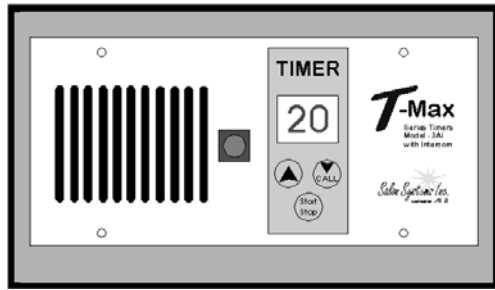
### 7.6.1 Connecting the Adnet Opto-Isolator® in a T-Max® Series Daisy Chain

1. Disconnect the modular cable from the T-Max® Manager.
2. Connect the cable that was disconnected from the T-Max® Manager (the cable connected to the first timer in the daisy-chain) to the **Output** RJ-22 modular port on the ADNET Opto-Isolator®.
3. Connect one end of the modular cable that was provided with the ADNET Opto-Isolator® to **Input** RJ-22 connector on the ADNET Opto-Isolator®.
4. Connect the other end of the modular cable that was provided with the ADNET Opto-Isolator® to the T-Max® Manager.
5. Apply Power to the ADNET Opto-Isolator® by connecting both provided power supplies to the 9-12V AC power input terminals and then plugging the power supplies into a standard 110VAC outlet.

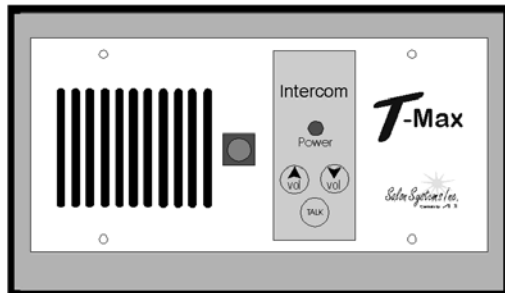


## 8 FIGURES

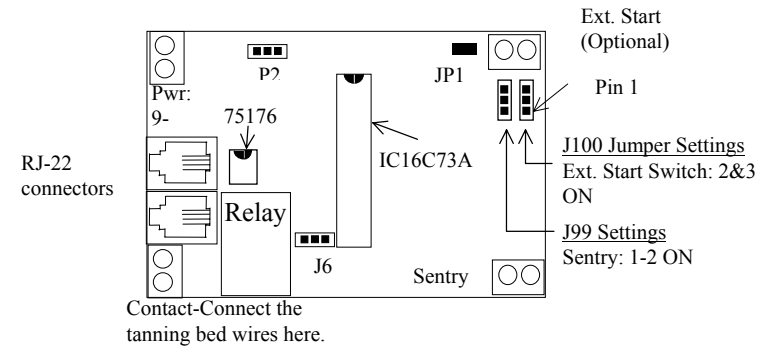
### 8.1 Figure A - Front View of the T-Max® 3A/F/I



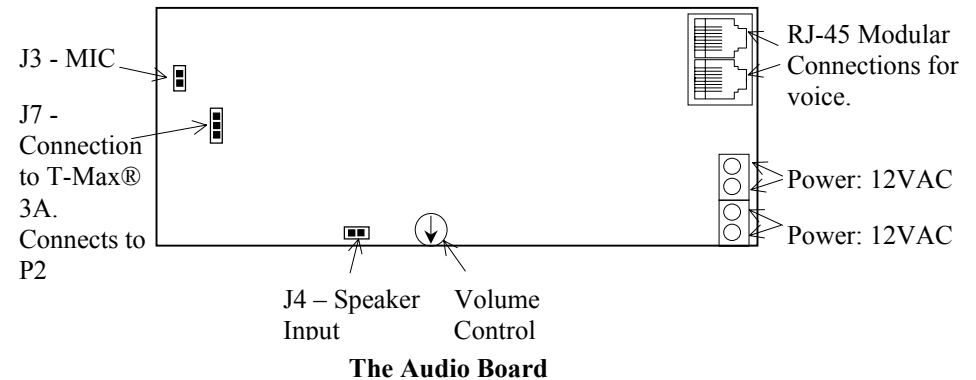
### 8.2 Figure B - Front View of the T-Max® 3A/I/Master



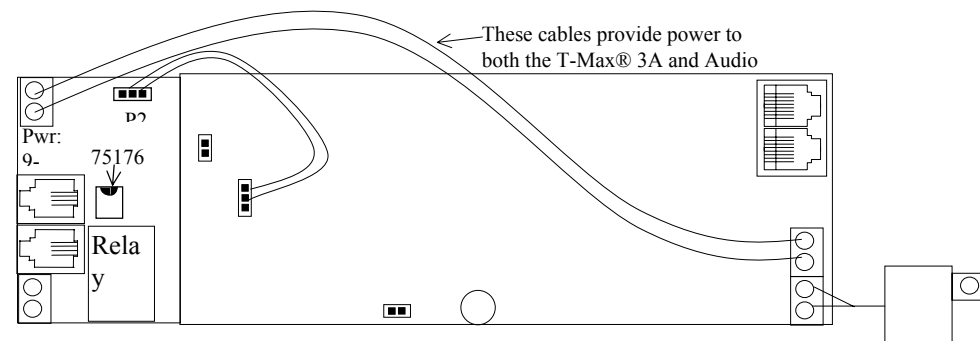
## 8.3 Figure C - Rear View of T-Max®3A/F/I and Audio Circuit Board



### T-Max®3A/F/I Connections – Lower T-Max® 3A Board

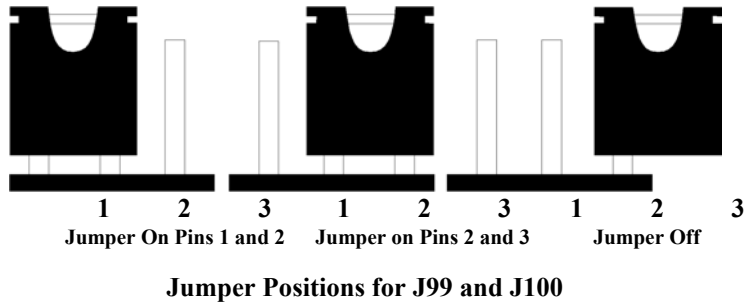


### The Audio Board



### The T-Max® 3A and Audio Board Together

### 8.4 Figure D - J99 and J100 Jumper Settings

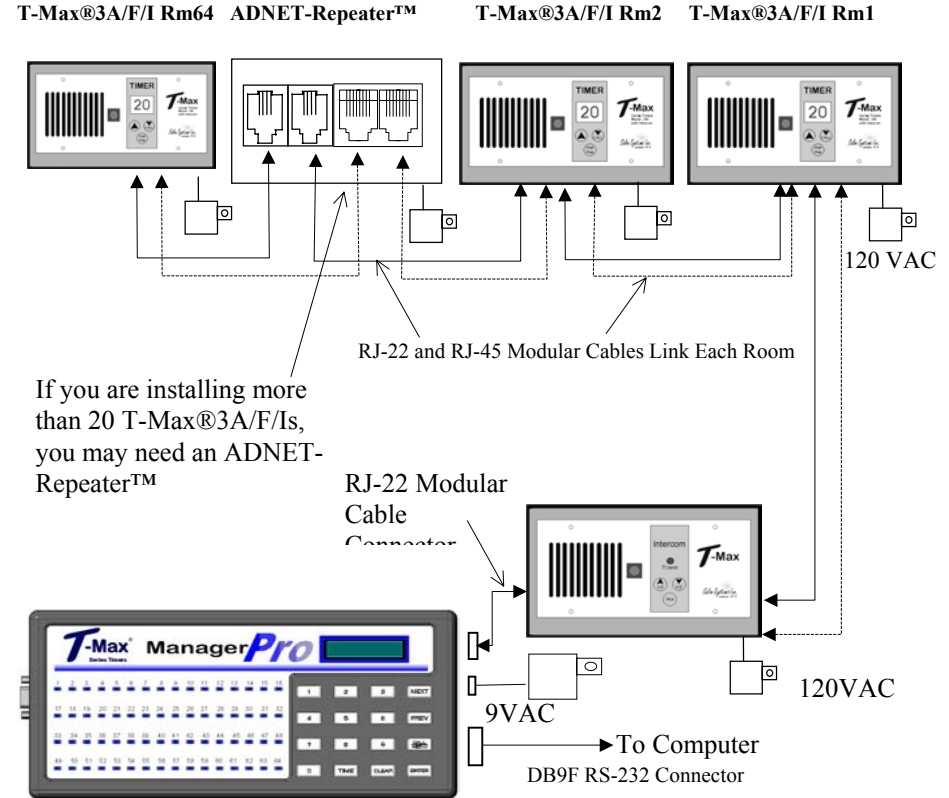


### 8.5 Figure E - The T-Max® Mgr/Pro



Front View of the T-Max® Mgr/Pro

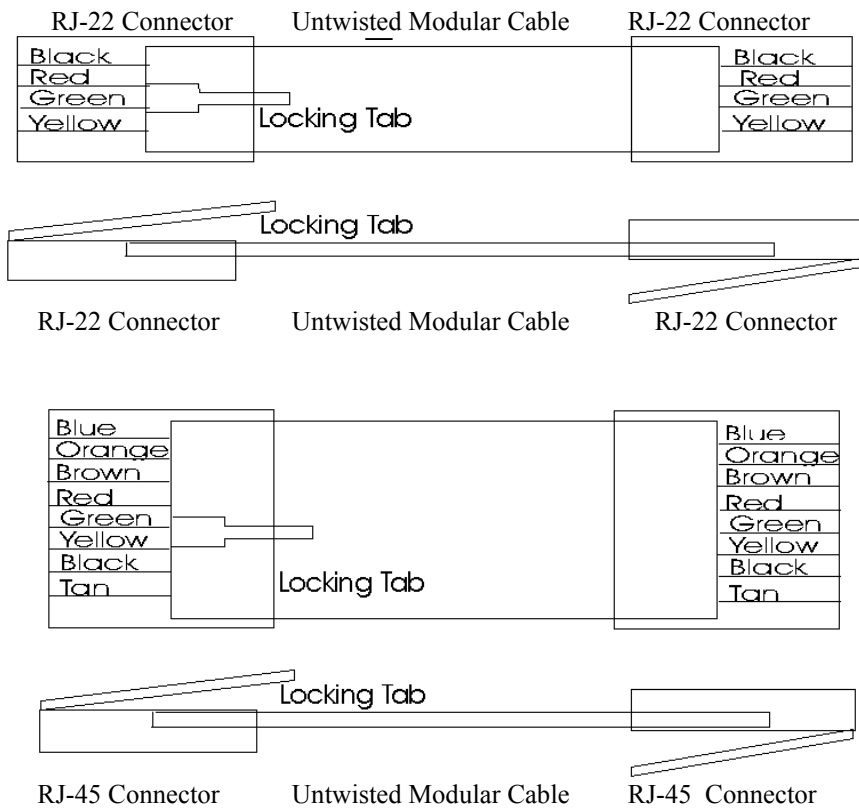
### 8.6 Figure F - Connecting The T-Max® Series



2 T-Max® Mgr/Pro's can be connected to control up to 128 beds!  
 An ADNET-Repeater may be needed if you are installing more than 25 T-Max® 3A's.

**CONNECTING THE T-Max® SERIES IS EASIER THAN EVER!**

## 8.7 Figure H - Modular Cable Pin-outs



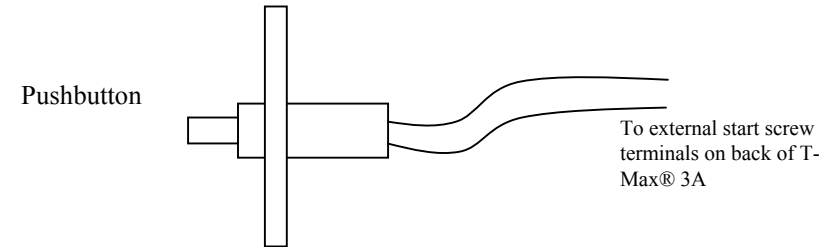
Use this diagram if you are making your own cables

### Important!!!

Salon Systems, Inc. highly recommends that you do not modify the cables provided with each T-Max® 3A. If you need longer cables, contact your dealer or Salon Systems, Inc. All cables are pre-tested at the factory for proper connection. If you are not careful in making your own cables, the system may not work properly!

**Note:** If you are making your own cables, you will need a tool for connecting RJ-22 connectors. Call Techni-Tool @ 1-800-832-4866 and ask for part number 702ST019.

## 8.8 Figure I – Connecting An External Push Button to a T-Max® 3A



The T-Max® 3A can be ordered with an external push button option. When the button is pushed, a contact closure is applied to the External Start input on the T-Max® 3A. If the T-Max® 3A is in delay, the bed will be energized without having to press the Start/Stop button.

## 9 TROUBLE SHOOTING

The T-Max® Series has been designed for years of trouble free service. However, if a problem does arise, please follow these trouble shooting steps before calling technical support.



### 1) No Lights Illuminated on the T-Max® Mgr/Pro.

Make sure that the transformer is plugged into the wall and into the power input on the T-Max® Mgr/Pro. Try plugging the T-Max® Mgr/Pro into a different outlet. If you are using a surge suppressor or UPS backup system, try plugging the T-Max® Mgr/Pro directly into the wall outlet. Check the circuit breaker in your building to make sure it is on. Use a voltmeter to measure the voltage on the transformer on the end which connects to the T-Max® Mgr/Pro.

### 2) The T-Max® Mgr/Pro does not show any beds, and the VFD display shows nothing.

This is an indication the program loaded in the T-Max® Mgr/Pro is lost or has been corrupted. Download programming from the Adnet 2000 to the T-Max®



Manager Pro or return the manager for repair. Refer to the Adnet 2000 manual for downloading instructions.

### **3) The T-Max® Mgr/Pro does not see any beds.**

Go through the Quick Installation setup in Section 2. Cycle power on the T-Max® Mgr/Pro. The T-Max® Mgr/Pro will rescan the network. Make sure each T-Max® 3A has a unique address.

### **4) When going through the Quick Installation set-up, when I press 888 then Enter on the T-Max® Mgr/Pro to set the addresses, some or all of the T-Max® 3As do not go to 99 and buzz.**

Check the cable between the T-Max® Mgr/Pro and the first T-Max® 3A or between the T-Max® 3A that is buzzing and the next T-Max® 3A on the daisy chain that is not buzzing. Replace communication chips in the T-Max® 3A's that are not showing a 99 and buzzing.

### **5) When power is applied to the T-Max® Mgr/Pro, beds 1-5 show on the T-Max® Mgr/Pro, but the rest of my beds do not show.**

Go through the Quick Installation in Section 2. Make sure that power is applied and modular cables are connected to each T-Max® 3A. Try a new modular cable between the last T-Max® 3A displayed and the first T-Max® 3A that does not show on the T-Max® Mgr/Pro in the daisy chain. If you do not have a spare cable, swap the suspected defective cable with a cable between two T-Max® 3A's that show on the Mgr/Pro. If the problem follows, the modular cable is either bad or wired incorrectly. Check the modular cable pin-outs on the defective cable (refer to Section 12.9, Figure I). If the problem does not follow, swap the first T-Max® 3A that does not appear on the T-Max® Mgr/Pro in the daisy chain with one that does. If the problem follows, return the defective T-Max® 3A for repair. If the problem does not follow, swap the last T-Max® 3A that appears on the T-Max® Mgr/Pro with one of the other T-Max® 3As that appears on the T-Max® Mgr/Pro.

### **6) The Slave T-Max® Mgr/Pro does not show any beds.**

Check and make sure the modular cable is connected to the Slave T-Max® Mgr/Pro. Recycle power to the Master T-Max® Mgr/Pro. Cycle power to the Slave T-Max® Mgr/Pro then cycle power to the Master T-Max® Mgr/Pro.

### **8) How do I make the T-Max® 3As work as stand-alone timers?**

Remove power from the T-Max® Mgr/Pro. Unplug power from each T-Max® 3A, wait 5 seconds, then plug them back in. On the T-Max® 3A, press the Set button to set time, and then press the Start/Stop button to start the session. Power to the T-Max® Mgr/Pro must stay off while the T-Max® 3As are being used as independent timers.

### **9) When I start a session manually, the session time will not start.**

Press the Call/Menu button. The following message will appear: SECURITY #. Enter your security number for Security Level 1 (See the enclosed Security Level Sheet). An Asterisk (\*) will appear on the lower left corner of the VFD display. You can then start sessions manually.

### **10) I can start sessions from the Master T-Max® Mgr/Pro, but not the Slave T-Max® Mgr/Pro.**

Enter Security Level 1 (See your enclosed Security Sheet). An Asterisk (\*) will be displayed on the lower left corner of the T-Max® Mgr/Pro. Cycle power to both the Slave T-Max® Mgr/Pro then the Master T-Max® Mgr/Pro. Watch the VFD display. On the lower right, make sure the display shows "VER-202/T". If it does not, contact your dealer for the latest T-Max® Series Utility Software and load it into the T-Max® Mgr/Pro as described in Section 6. Check and make sure the modular cable is connected to the Slave T-Max® Mgr/Pro. Recycle power to the Master T-Max® Mgr/Pro. Go into the Master T-Max® Mgr/Pro parameter mode (Security Level 3) and set the Max Slave Number to 7. Cycle power to the Slave T-Max® Mgr/Pro then cycle power to the Master T-Max® Mgr/Pro.

### **11) When checking my bulb hours (or any other parameter), the value shows 65535 for all beds. Why?**

This is an indication that you are trying to check parameters from a Slave T-Max® Mgr/Pro. You can only check and change parameters from a Master T-Max® Mgr/Pro. To determine if the T-Max® Mgr/Pro is a master or slave, cycle power to the T-Max® Mgr/Pro and watch the VFD display. The top line

will read “TESTING MEMORY #”. If the # is a number other than a 0 (1-7), then this T-Max® Mgr/Pro is a slave. The T-Max® Mgr/Pro that reads “TESTING MEMORY 0” is the master.

## 8.1 Error Codes

Error T-Max® 3A	Codes T-Max® Mgr/Pro	Description	Possible Solution
N/A	E0	<b>Unrecognized Parameter</b>	Load the T-Max® Manager/Pro with the newest version of software.
91	E1	<b>EEPROM Error - On power up, detects error.</b>	1) Cycle power on T-Max® Mgr/Pro 2) Check parameters on T-Max® 3A. 3) If error occurs repeatedly, return T-Max® 3A for service.
92	E2	<b>Current Sense Error - Current Off</b> Session has started but bed is off.	1) If you are not using a T-Max® Sentry, set parameter 4 to 0. <b>Check to see if bed is off or illuminates momentarily.</b> <b>If bed is off</b> 1) Check power to bed. 2) Check outlet bed is plugged into. 3) Check circuit breaker 4) Swap T-Max® 3A with one that is working. <b>If bed illuminates momentarily:</b> 1) Make sure T-Max® Sentry™ is connected properly (refer to T-Max® 3A User’s Guide). 2) Have electrician check beds current draw. If the bed draws less than 10AMPS, wire from the bed needs to be wrapped around the T-Max® Sentry™ one time. Refer to T-Max® 3A User’s Guide.
93	E3	<b>Current Sense Error - Current On</b> Session has expired but bed remains on.	<b>Check to see if bed is on or off. If bed is on:</b> 1) Swap T-Max® 3A with one that is working properly. 2) Check bed for proper operation. <b>If bed is off</b> 1) Have electrician check the current draw on bed. If fans drawing <5AMPS, wrap wire from bed around the T-Max® Sentry™ one time. Refer to T-Max® 3A User’s Guide.
94	E4	<b>Max Time Error - T-Max® 3A reporting wrong Max time.</b>	1) Check the delay on the T-Max® 3A. Make sure the Delay is not set to 55. 2) Replace the T-Max® 3A.
N/A	E6	<b>Checksum Error - T-Max® Mgr/Pro received bad value from T-Max® 3A</b>	1) Cycle power on the T-Max® Mgr/Pro and T-Max® 3A. 2) Swap the T-Max® 3A with one that is operating correctly.
N/A	E7	<b>Time Out Error - The T-Max® Mgr/Pro did not receive the correct information from the T-Max® 3A</b>	1) Make sure 9VAC @ 200mA transformer powering T-Max® 3A is plugged in to 120VAC outlet. 2) Swap transformer with one that is working. 3) Check modular cable to make sure it has not been disconnected. Replace modular cable. 4) Swap T-Max® 3A with one that is working.

## Index

**Adding Beds**, 19  
**ADNET-Repeater™**, 20, 28  
**Auto Addressing**  
    **See Quick Installation.**  
**Auto Start**  
    **Manual Setup**, 10  
**Bed Status**, 16  
**Cable Pinouts**  
    **See Modular Cable Pinouts.**  
**Canceling Sessions**  
    **Manually**, 15  
    Using the T-Max 3A® as an  
        Independent timer, 21  
**Cool Down Mode**, 21  
**Delay**  
    **Manual Setup**, 9  
**Emergency Call**, 19  
**Expansion**  
    Adding T-Max® 3A/F/Is, 19  
**External Push Button Option**, 23,  
    30  
**Hanging Up the Intercom**, 18  
**Installation**  
    **Quick Installation**, 3  
**Intercom**  
    Adjusting the Volume on the T-  
        Max® 3A/I/Master, 17  
    Auto Shutoff, 18  
    Call Waiting, 18  
    Calling a Room from the Front  
        Desk, 17  
    Calling the front desk from the  
        T-Max® 3A/F/I, 17  
    Emergency Call, 19  
    Hanging Up, 18  
    Setting Up, 17  
    Using, 17  
**Jumpers**  
    T-Max® 3A/F/I, 26  
**Maximum Bed Number**  
    **Manual Setup**, 10  
**Modular Cable Pinouts**, 29

## Parameters

    Changing and Getting Manually,  
        13  
    **Table**, 12  
**Pausing a Session**, 16, 21  
**Quick Installation**, 3  
**Security Numbers**, 14  
**Starting Sessions**  
    **Manually**, 15  
**T-Max® 3A**  
    Canceling Session, 21  
    External Push Button, 23, 30  
    Pausing Session, 21  
    Setting Parameters Manually, 7  
    **Setting the Address Manually**,  
        6  
    Using as an Independent timer,  
        20  
**T-Max® 3A/F/I**  
    Adding, 19  
    Circuit Board Connections, 26  
    Diagram, 24  
**T-Max® 3A/I/Master**, 25  
**T-Max® Enclosure**, 23  
**T-Max® Manager/Plus**  
    Emergency Call, 19  
    Hanging Up the Intercom, 18  
    Using the Intercom, 17  
**T-Max® Manager/Pro**  
    **Address**, 11  
    **Going From Computer to**  
        **Manual Control**, 15  
    **Manual Set Up**, 9  
    **Starting Sessions Manually**, 15  
**T-Max® Monitor/Plus**, 22  
**T-Max® Speaker**, 22  
**T-Max®3A**  
    Enclosure, 23  
**Trouble-Shooting**, 30  
**Wiring**, 3, 28