

T-Max® Monitor/Plus - Installation Guide

The T-Max® Monitor/Plus can connect anywhere in the T-Max® Series daisy-chain to show up to 16 beds counting down at one time. Multiple T-Max® Monitor/Plus's can be stacked to show up to 128 beds. Place a T-Max® Monitor/Plus in your laundry room and your cleaning staff will not have to run to the front desk to see what beds need to be cleaned, they can simply glance up and look.

Specifications:

Size: 11"x3.5"x2.75"
Power: 12VDC @ 800mA or
12VAC @ 800mA
Connections: 2; RJ-22 modular Connections.

Accessories Supplied:

1 - 12V @800mA power supply
1 - 50' modular cable with RJ-22 connectors at both ends
Bed number Labels
This document

Quick Installation

1. Disconnect the modular cable from the T-Max® timer that you want to connect to the T-Max® Monitor/Plus.
2. Connect that cable to one of the modular ports on the T-Max® Monitor/Plus.
3. Connect the 50' modular cable that came with the T-Max® Monitor/Plus to the other port on the T-Max® Monitor Plus and the open modular port on the T-Max® timer.
4. Connect the 12V power supply to the power connector on the T-Max® Monitor/Plus and plug it into a standard 110VAC outlet.
5. Unplug power to the T-Max® Manager, wait 5 seconds, then plug it back in.

Setting the Address

If you want the T-Max® Monitor/Plus to display beds other than 1-16, the address must be set using a four position DIP switch.

The T-Max® Monitor/Plus is factory set to display beds one through sixteen. To change the range of displayed beds, the following procedure must be followed;

1. Remove power from the T-Max® Monitor/Plus.
2. Remove the four Phillips screws from the rear of the T-Max® Monitor/Plus.
3. Remove the rear panel of the enclosure by separating the enclosure panels.
4. Locate the four position Dip switch on the circuit card.
5. The Dip switch is factory set to display beds one to sixteen;

1 - On
2 - On
3 - On
4 - On

Change the switch settings to correspond to the range of beds you would like to display;

Beds Displayed	Sw1	Sw2	Sw3
1-16	On	On	On
17-32	Off	On	On
33-48	On	Off	On
49-64	Off	Off	On
65-80	On	On	Off
81-96	Off	On	Off
97-112	On	Off	Off
113-128	Off	Off	Off

The T-Max® Monitor/Plus has the capability to display beds 9 - 24, 25 - 40, 41 - 56, etc. for use with the T-Max® Manager. Contact the manufacturer for the latest T-Max® Manager software to utilize this feature.

Figure 1 - T-Max® Monitor/Plus

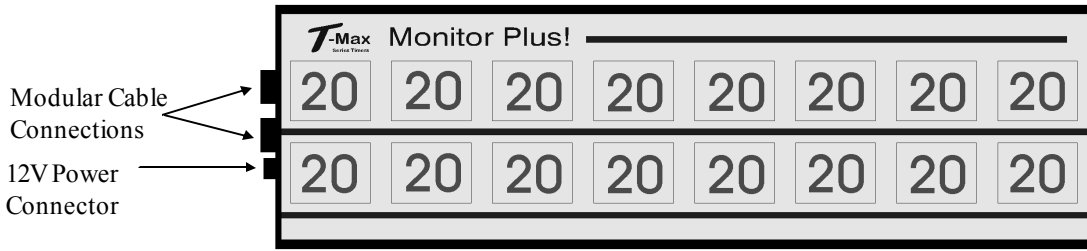
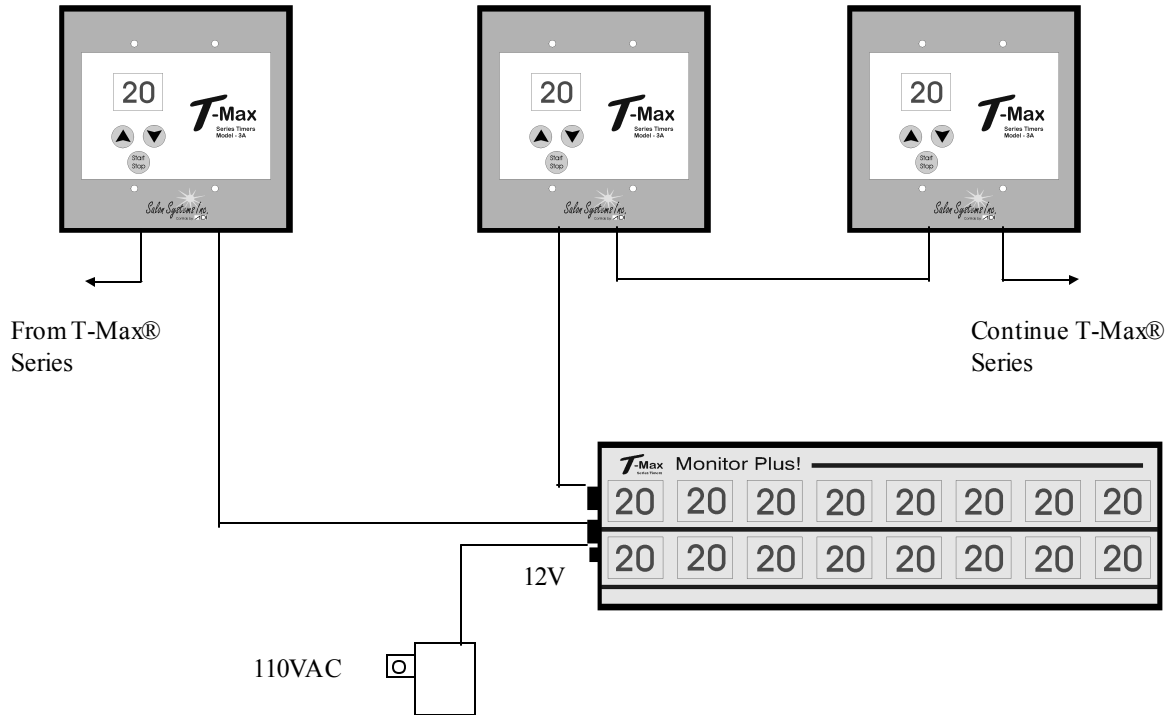


Figure 2 - Connecting the T-Max® Monitor/Plus



You may connect as many T-Max® Monitor/Plus's as you need! Connect one at the end of your salon to allow your cleaning staff to see the status of the rooms with out running to your front desk! Connect one at your front desk to see which rooms are available with out pressing any buttons!

(C) COPYRIGHT 2006 By Applied Digital, Inc.

The information in this manual is believed to be correct. However, Applied Digital, Inc. assumes no responsibility for any errors herein. This information is subject to change without notice, and should not be construed as a commitment by Applied Digital, Inc.

WARRANTY

This product is warranted against defective materials and workmanship for a period of two years from date of purchase. In the event the product fails to perform, it may be returned; Shipping Paid, to the factory to be serviced or replaced at the factory's discretion. Applied Digital, Inc. will pay to ship the repaired or replaced product by the shipping means of our choosing. Returns will not be accepted without a Return Authorization Number assigned by the factory.

It is a Condition of Sale that the user of Applied Digital Inc.'s products assumes all risk and responsibility of use and indemnifies Applied Digital, Inc. against all damages. Applied Digital, Inc. is not liable for loss of profits, lost savings, special, incidental, consequential, indirect or other similar damages arising from breach of warranty, breach of contract, negligence, or other legal action even if Applied Digital, Inc. or its agent has been advised of the possibility of such damages, or for any claim brought against you by another party. This warranty allocates risks of product failure between the Purchaser and Applied Digital, Inc. Applied Digital, Inc.'s hardware pricing reflects this allocation of risk and the limitations of liability contained in this warranty.

